

PART NO.	"A" REF.	MAX. BUNDLE DIA. "B"	TO BE USED WITH	FIGURE NO.
CAT-05-PP	2.09 (53)	.24 (6)	SHR-05-YYY*	2
CAT-08-PP	2.80 (71)	.37 (9.5)	SHR-08-YYY*	1
CAT-15-PP	3.19 (81)	.63 (16)	SHR-15-YYY*	
CAT-20-PP	3.94 (100)	.79 (20)	SHR-20-YYY*	
CAT-25-PP	4.45 (113)	.96 (24.5)	SHR-25-YYY*	
CAT-32-PP	5.67 (144)	1.22 (31)	SHR-32-YYY*	

*YYY-SHR MATERIAL

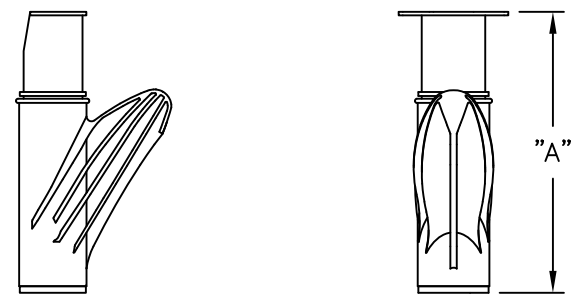


FIGURE 1.
 MATERIAL: A) GUIDE BODY: -POLYPROPYLENE (RMS-268); COLOR: ORANGE.
 B) CABLE HOLDER - POLYACETAL (RMS-267), COLOR: WHITE

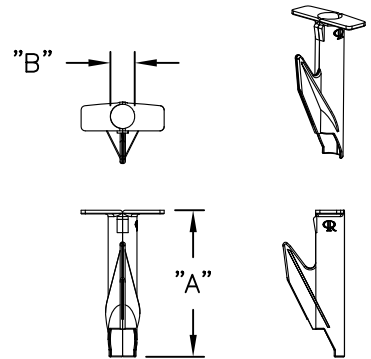


FIGURE 2.
 MATERIAL: POLYPROPYLENE (RMS-150); COLOR: BLUE.

NOTES:

- FIGURE 1. TOOL AVAILABLE IN BULK PACKAGES OF 100/BOX. TO ORDER ADD "-BU" TO THE PART NO.
- CAT-20, "-25" AND "-32" AVAILABLE IN GLASS FILLED NYLON (RMS-253) FOR HEAVY DUTY APPLICATION. TO ORDER, REPLACE "-PP" WITH "-IX"; COLOR: BLUE.

TITLE: CABLE APPLICATOR TOOL

DWG IN IN (MM)

REV	DESCRIPTION	ENGR	DATE
C	SEE CO 200219 FOR CHANGES	SK	07.21.08
B	SEE ECN #1319 FOR CHANGES	SK	04.19.07
A	REDRAWN FROM RICHCO UK	SM	03.01.02

TOLERANCES UNLESS NOTED
 .XX=±.010
 .XXX=±.005
 FRAC=±1/64
 ANG=±1°

FILE # CAT
 MAT'L: SEE NOTES
 RE: RICHCO, INC.

DWN: SM
 DT: 03.01.02
 APP:
 DT:
 RICHCO INC.
 PO BOX 804238, CHICAGO, 60680
 (773) 539-4060

FINAL
 PART #
 SEE TABLE
 PRINT TYPE
 CA